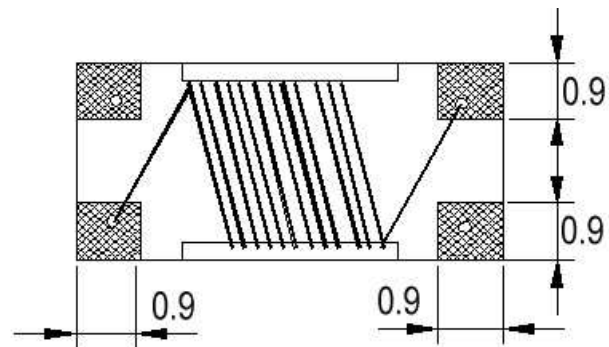
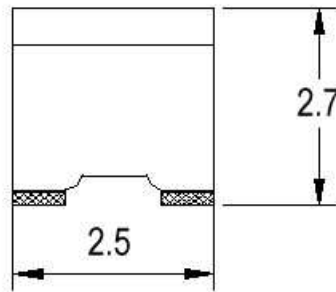
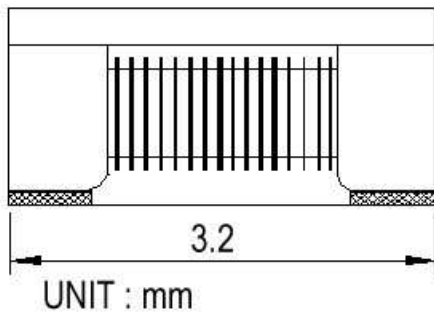


## SMD Power Inductors CDW3225 Series



CDW2012/3216/3225 realizes small size and low profile. high common mode impedance at high suppression performance. suitable for differential signal line like USB2.0, IEEE1394 and LVDS. lead is not contained in the product.

Mainly used by common mode noise suppression of signal lines in high speed and high density digital equipment such as personal computers and peripherals. ideal for use as common-mode chokes for USB1.1 USB2.0/IEEE1394 interface



Part Number	Commin-Mode Impedance $Z(\Omega)$ at 100MHz	Resistance $R_{dc}(\Omega)$ max	Rated current $I_{dc}(mA)$ max	Rated Voltage $V_{dc}(V)$	Withstanding Voltage $V_{dc}(V)$	Insulation Resistance $(M\Omega)$ min
CDW3225-800-2P-R	$80 \pm 25\%$	0.15	400	50	125	10
CDW3225-161-2P-R	$160 \pm 25\%$	0.2	350	50	125	10
CDW3225-271-2P-R	$270 \pm 25\%$	0.3	300	50	125	10
CDW3225-271-2P-R	$1000 \pm 25\%$	0.5	200	50	125	10

Special inquiries besides the above common used types can be met on your requirement.

1. Inductance tested at 100KHz, 0.1V;
2. SRF > 13MHz measured using Agilent / HP8753D network Analyzer;
3. Inductance drop = 10% typ at rated  $I_{sat}$ ;
4.  $\Delta T = 40^\circ C$  rise typ. at  $I_{rms}$ ;
5. Operating temperature range  $-40^\circ C$  to  $+125^\circ C$ ;
6. Electrical specifications at  $+25^\circ C$ ;