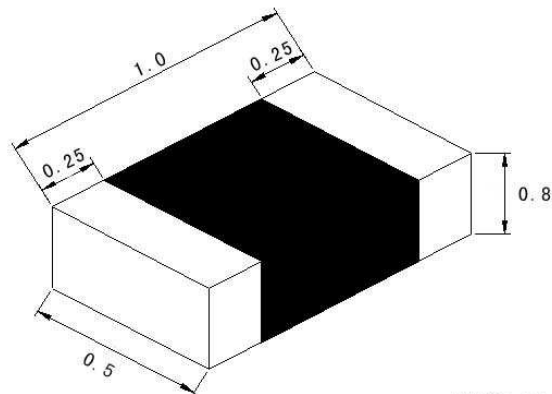


Ferrite Chip Inductors JH1005(0402)



JH1005(0402) Series , Monolithic inorganic material construction. Closed magnetic circuit avoids crosstalk. S.M.T. type. Suitable for flow and reflow soldering. Shapes and dimensions follow E.I.A. Spec.. Available in various sizes. Excellent solderability and heat resistance. High reliability.



UNIT: mm

PART NO	L(uH)	DCR max (mΩ)	IDC max (A)	TEST FREQ (Hz)
JH1005-47N	0.047	0.45	25	50
JH1005-56N	0.056	0.45	25	50
JH1005-68N	0.068	0.45	25	50
JH1005-82N	0.082	0.45	25	50
JH1005-R10	0.1	0.7	25	25
JH1005-R12	0.12	0.7	25	25
JH1005-R15	0.15	0.9	25	25
JH1005-R18	0.18	1.1	25	25
JH1005-R22	0.22	1.2	25	25
JH1005-R27	0.27	1.2	25	25
JH1005-R33	0.33	1.25	18	25
JH1005-R39	0.39	1.5	18	25
JH1005-R47	0.47	2	18	25
JH1005-R56	0.56	2.35	18	25
JH1005-R68	0.68	2.55	18	25
JH1005-R82	0.82	3.15	18	25
JH1005-1R0	1	0.9	15	10
JH1005-1R2	1.2	1.2	15	10
JH1005-1R5	1.5	1.2	15	10
JH1005-1R8	1.8	1.45	15	10
JH1005-2R2	2.2	1.75	10	10
JH1005-2R7	2.7	2	10	10
JH1005-3R3	3.3	2.35	10	10
JH1005-3R9	3.9	2.55	10	10
JH1005-4R7	4.7	3.15	10	10
JH1005-5R6	5.6	2.35	3	4
JH1005-6R8	6.8	2.55	3	4
JH1005-8R2	8.2	3.15	3	4
JH1005-100	10	3.45	2	2

Special inquiries besides the above common used types can be met on your requirement.