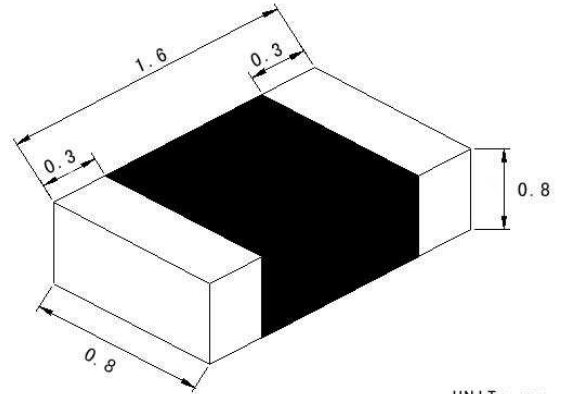


## Ferrite Chip Inductors ><2012(0805)



><2012(0805) Series ,Monolithic inorganic material construction.Closed magnetic circuit avoids crosstalk.S.M.T.type.Suitable for flow and reflow soldering.Shapes and dimensions follow E.I.A.Spec..Available in various sizes.Excellent solderability and heat resistance.High reliability.



UNIT: mm

PART NO	L(uH)	DCR max (mΩ)	IDC max (A)	TEST FREQ. (Hz)
JH1608-47N	0.047	0.30	50	50
JH1608-68N	0.068	0.30	50	50
JH1608-82N	0.082	0.30	50	50
JH1608-R10	0.10	0.50	50	25
JH1608-R12	0.12	0.50	50	25
JH1608-R15	0.15	0.60	50	25
JH1608-R18	0.18	0.60	50	25
JH1608-R22	0.22	0.80	50	25
JH1608-R27	0.27	0.80	50	25
JH1608-R33	0.33	0.85	35	25
JH1608-R39	0.39	1.00	35	25
JH1608-R47	0.47	1.35	35	25
JH1608-R56	0.56	1.55	35	25
JH1608-R68	0.68	1.70	35	25
JH1608-R82	0.82	2.10	35	25
JH1608-1R0	1.0	0.60	25	10
JH1608-1R2	1.2	0.80	25	10
JH1608-1R5	1.5	0.80	25	10
JH1608-1R8	1.8	0.95	25	10
JH1608-2R2	2.2	1.15	15	10
JH1608-2R7	2.7	1.35	15	10
JH1608-3R3	3.3	1.55	15	10
JH1608-3R9	3.9	1.70	15	10
JH1608-4R7	4.7	2.10	15	10
JH1608-5R6	5.6	1.55	15	4
JH1608-6R8	6.8	1.70	15	4
JH1608-8R2	8.2	2.10	15	4
JH1608-100	10.0	2.55	15	2
JH1608-120	12.0	2.75	15	1
JH1608-150	15.0	1.70	15	1
JH1608-180	18.0	1.85	15	1
JH1608-220	22.0	2.15	15	1
JH1608-270	27.0	2.75	15	1
JH1608-330	33.0	2.95	15	1

Special inquiries besides the above common used types can be met on your requirement.