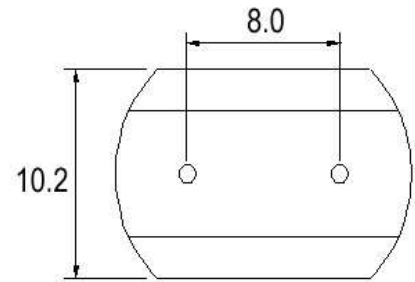
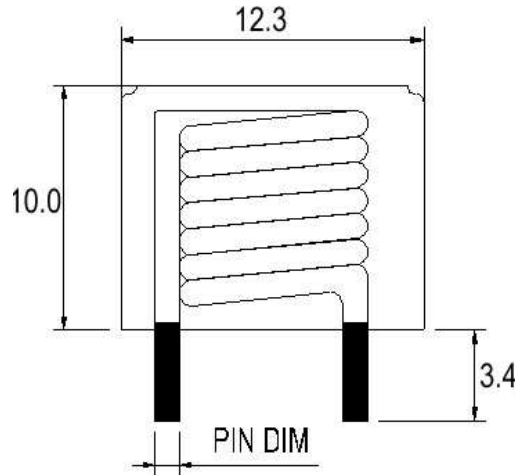


SMD Power Inductors CDM1210 Series

CDM1210 Series ,Ultra low cost,Shielded construction,High current rating up to DC 50Amp,High frequency range up to 1.0MHz,Very low DC resistance,Low Noise,RoHS compliant.

Mainly used by Motherboards for laptop and desktop computers,DC/DC converter



UNIT : mm

PART NO	L(uH)	DCR max (mΩ)	IDC max (A)	TEST FREQ. (Hz)
CDM1210-R22M-B-S	0.22	0.60	56	100K/0.1V
CDM1210-R33M-B-S	0.33	0.80	48	100K/0.1V
CDM1210-R39M-B-S	0.39	0.80	45	100K/0.1V
CDM1210-R47M-B-S	0.47	1.00	40	100K/0.1V
CDM1210-R56M-B-S	0.56	1.00	40	100K/0.1V
CDM1210-R68M-B-S	0.68	1.00	40	100K/0.1V
CDM1210-R80M-B-S	0.80	1.25	36	100K/0.1V
CDM1210-1R0M-B-S	1.00	2.00	32	100K/0.1V
CDM1210-1R5M-B-S	1.50	3.50	30	100K/0.1V
CDM1210-2R2M-B-S	2.20	5.00	24	100K/0.1V
CDM1210-2R8M-B-S	2.80	6.40	20	100K/0.1V
CDM1210-3R3M-B-S	3.30	7.70	16	100K/0.1V
CDM1210-4R7M-B-S	4.70	10.00	15	100K/0.1V

<1>Irms: The value of current indicates that the temperature of the coil is increase 40°C (typical).

<2>Isat: The value of current indicates that inductance drops 20%(typical)from its initial value without DC current.

<3>Test condition:Ta= 25°C

<4>Test condition:100KHz 0.1V.

In Bulk Packing

Special inquiries besides the above common used types can be met on your requirement.