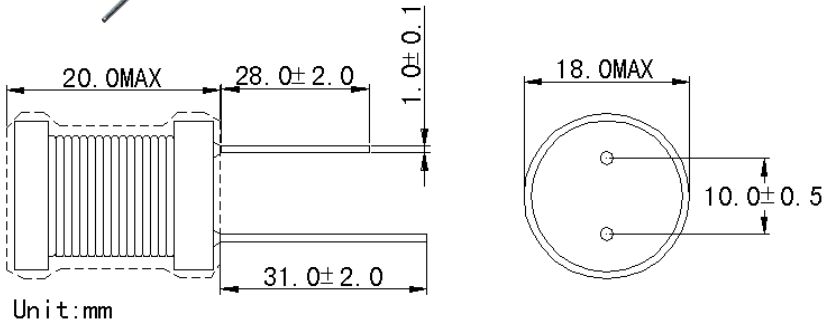


Radial Type Choke Inductors CD2W1820 Series



CD2W1820 Series ,Contain high-frequency ferrite. Comparatively large rated current. Power supplies,DC-DC converters. TVs,VTRs,computers. Computer Peripherals. Telephones,Air-Conditions. Home Electric Appliance. Electronic toys and games.



P/N	L (uH)	DCR(mohm) MAX	Isat (A)
CD2W1820-220M	22	30.0	5.70
CD2W1820-270M	27	33.0	5.00
CD2W1820-330K	33	35.0	4.80
CD2W1820-390K	39	38.0	4.50
CD2W1820-470K	47	44.0	4.20
CD2W1820-560K	56	48.0	4.00
CD2W1820-680K	68	55.0	3.80
CD2W1820-820K	82	66.0	3.50
CD2W1820-101K	100	82.0	3.20
CD2W1820-121K	120	98.0	3.00
CD2W1820-151K	150	110.0	2.70
CD2W1820-181K	180	130.0	2.50
CD2W1820-221K	220	160.0	2.30
CD2W1820-271K	270	190.0	2.00
CD2W1820-331K	330	260.0	1.80
CD2W1820-391K	390	290.0	1.70
CD2W1820-471K	470	330.0	1.50
CD2W1820-561K	560	410.0	1.40
CD2W1820-681K	680	460.0	1.30
CD2W1820-821K	820	630.0	1.10
CD2W1820-102K	1000	710.0	1.00

1. Inductance tested at 2.52MHz,0.1V;
2. SRF>13MHz measured using Agilent / HP8753D network Analyzer;
3. Inductance drop = 10% typ. at rated Isat;
4. $\Delta T=40^{\circ}\text{C}$ rise typ. at Irms;
5. Operating temperature range -20°C to $+105^{\circ}\text{C}$;
6. Electrical specifications at $+25^{\circ}\text{C}$;

In Bulk Packing

Special inquiries besides the above common used types can be met on your requirement.