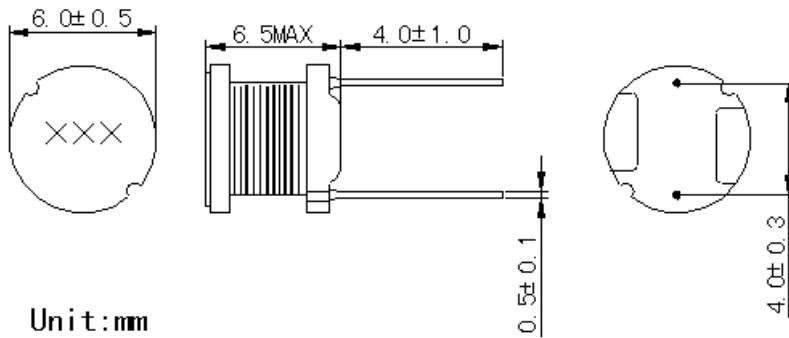


# PIN TYPE Power Inductors CD2W0606 Series



CD2W0606 Series ,Entire winding core is encapsulated in heat shriked ul tube or magnetically shielded. to provide mechanical and environmental protection. Rugged reliability and performance. For switchingpower supply with high reliability. Efficiency and saturation. OA equipment choke. High current low impedance.



P/N	L (uH) ±20%	DCR(mohm) MAX	Isat (A)
CD2W0606-220M	22	130.0	0.96
CD2W0606-270M	27	180.0	0.87
CD2W0606-330M	33	210.0	0.78
CD2W0606-390M	39	260.0	0.72
CD2W0606-470M	47	290.0	0.66
CD2W0606-560M	56	330.0	0.60
CD2W0606-680M	68	360.0	0.55
CD2W0606-820M	82	390.0	0.50
CD2W0606-101M	100	540.0	0.45
CD2W0606-121M	120	620.0	0.41
CD2W0606-151M	150	720.0	0.37
CD2W0606-181M	180	880.0	0.34
CD2W0606-221M	220	990.0	0.30
CD2W0606-271M	270	1520.0	0.27
CD2W0606-331M	330	1690.0	0.25
CD2W0606-391M	390	1850.0	0.23
CD2W0606-471M	470	2850.0	0.21
CD2W0606-561M	560	3210.0	0.19
CD2W0606-681M	680	3600.0	0.17
CD2W0606-821M	820	4870.0	0.16
CD2W0606-102M	1000	5560.0	0.14

1. Inductance tested at 1KHz, 0.1V;
2. SRF > 13MHz measured using Agilent / HP8753D network Analyzer;
3. Inductance drop = 10% typ. at rated Isat;
4. ΔT = 40°C rise typ. at Irms;
5. Operating temperature range -40°C to +125°C;
6. Electrical specifications at +25°C;

In Bulk Packing

Special inquiries besides the above common used types can be met on your requirement.