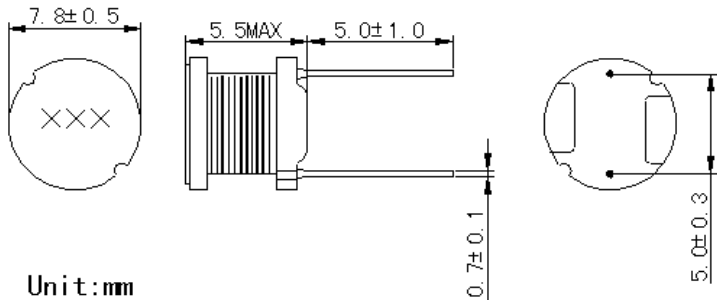


# PIN TYPE Power Inductors CD2W0855 Series



CD2W0855 Series ,Entire winding core is encapsulated in heat shriked ul tube or magnetically shielded.to provide mechanical and environmental protection. Rugged reliability and performance. For switching power supply with high reliability. Efficiency and saturation. OA equipment choke. High current low impedance.



Unit:mm

P/N	L (uH)	DCR(mohm) MAX	Isat (A)
CD2W0855-100M	10.0	70.0	2.50
CD2W0855-120M	12.0	80.0	2.40
CD2W0855-150M	15.0	90.0	2.10
CD2W0855-180M	18.0	100.0	2.00
CD2W0855-220K	22.0	120.0	1.70
CD2W0855-270K	27	140.0	1.60
CD2W0855-330K	33	170.0	1.40
CD2W0855-390K	39	210.0	1.30
CD2W0855-470K	47	240.0	1.20
CD2W0855-560K	56	310.0	1.10
CD2W0855-680K	68	340.0	1.00
CD2W0855-820K	82	400.0	0.93
CD2W0855-101K	100	520.0	0.81
CD2W0855-121K	120	590.0	0.76
CD2W0855-151K	150	710.0	0.67
CD2W0855-181K	180	890.0	0.62
CD2W0855-221K	220	1040.0	0.54
CD2W0855-271K	270	1280.0	0.49
CD2W0855-331K	330	1470.0	0.44
CD2W0855-391K	390	1670.0	0.41
CD2W0855-471K	470	1950.0	0.38
CD2W0855-561K	560	2830.0	0.35
CD2W0855-681K	680	3250.0	0.32
CD2W0855-821K	820	3820.0	0.31
CD2W0855-102K	1000	5280.0	0.25
CD2W0855-122K	1200	6030.0	0.23
CD2W0855-152K	1500	7150.0	0.21
CD2W0855-182K	1800	8260.0	0.19
CD2W0855-222K	2200	11100.0	0.18
CD2W0855-272K	2700	13100.0	0.32
CD2W0855-332K	3300	15900.0	0.14
CD2W0855-392K	3900	18000.0	0.13
CD2W0855-472K	4700	13900.0	0.12
CD2W0855-562K	5600	16800.0	0.11
CD2W0855-682K	6800	31700.0	0.098
CD2W0855-822K	8200	46500.0	0.088
CD2W0855-103K	10000	55700.0	0.081

1. Inductance tested at 1KHz, 0.1V;
2. SRF > 13MHz measured using Agilent / HP8753D network Analyzer;
3. Inductance drop = 10% typ. at rated Isat;
4.  $\Delta T = 40^\circ\text{C}$  rise typ. at Irms;
5. Operating temperature range  $-40^\circ\text{C}$  to  $+125^\circ\text{C}$ ;
6. Electrical specifications at  $+25^\circ\text{C}$ ;

Special inquiries besides the above common used types can be met on your requirement.

<http://www.coilsjs.com>  
[Sales@coilsjs.com](mailto:Sales@coilsjs.com)