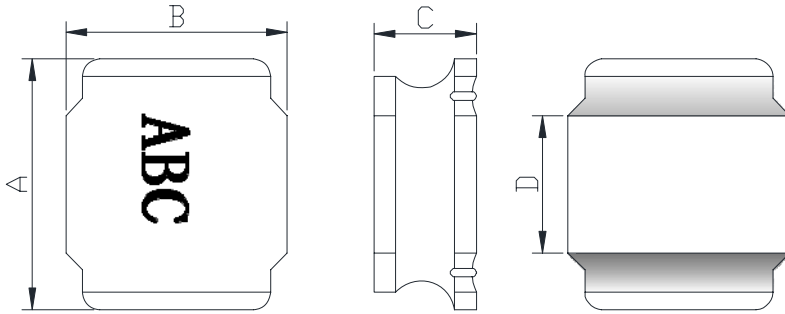


# SPECIFICATION FOR APPROVAL

## NR6045C Series

Rev.No.	A
Page	1

### I . CONFIGURATION&DIMENSIONS:



A:6.0±0.3	mm
B:6.0±0.3	mm
C:4.5max	mm
D:3.5ref	mm

PART NO.	Ls	DCR (Ω)	Isat	Irms	SRF (MHz)	TEST FREQ.
	(uH)0A	±30%	(A)	(A)	min	(Hz)
<input type="checkbox"/> NR6045C-1R0N-R-S	1.0	0.011	9.85	5.14	100	100K/1V
<input type="checkbox"/> NR6045C-1R5N-R-S	1.5	0.012	8.80	4.95	65	100K/1V
<input type="checkbox"/> NR6045C-2R2N-R-S	2.2	0.014	6.47	4.60	52	100K/1V
<input type="checkbox"/> NR6045C-3R3N-R-S	3.3	0.021	5.90	3.70	32	100K/1V
<input type="checkbox"/> NR6045C-4R7M-R-S	4.7	0.026	4.97	3.30	24	100K/1V
<input type="checkbox"/> NR6045C-5R1M-R-S	5.1	0.026	4.40	3.30	23	100K/1V
<input type="checkbox"/> NR6045C-6R8M-R-S	6.8	0.031	3.90	3.00	20	100K/1V
<input type="checkbox"/> NR6045C-8R2M-R-S	8.2	0.043	3.90	2.60	21	100K/1V
<input type="checkbox"/> NR6045C-100M-R-S	10.0	0.048	3.20	2.45	15	100K/1V
<input type="checkbox"/> NR6045C-150M-R-S	15.0	0.068	2.50	2.05	12	100K/1V
<input type="checkbox"/> NR6045C-220M-R-S	22.0	0.089	2.05	1.80	10	100K/1V
<input type="checkbox"/> NR6045C-330M-R-S	33.0	0.137	1.65	1.45	8	100K/1V
<input type="checkbox"/> NR6045C-470M-R-S	47.0	0.200	1.40	1.20	6.4	100K/1V
<input type="checkbox"/> NR6045C-680M-R-S	68.0	0.289	1.20	1.00	6.4	100K/1V
<input type="checkbox"/> NR6045C-101M-R-S	100.0	0.433	0.95	0.80	4.2	100K/1V
<input type="checkbox"/> NR6045C-221M-R-S	220.0	0.834	0.70	0.59	3.5	100K/1V
<input type="checkbox"/> NR6045C-331M-R-S	330	1.270	0.57	0.57	2.8	100K/1V