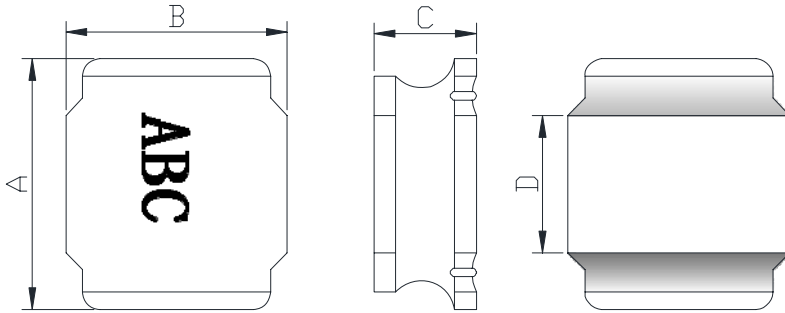


SPECIFICATION FOR APPROVAL

NR6020C Series

Rev.No.	A
Page	1

I .CONFIGURATION&DIMENSIONS:



A:6.0±0.2 mm

B:6.0±0.2 mm

C:2.8max mm

D:2.0ref mm

PART NO.	LS	DCR	Isat	Irms	SRF	TEST FREQ.
	(uH)0A	(Ω) ±30%	(A)	(A)	(MHz) min	(Hz)
<input type="checkbox"/> NR6028C-1R0N-R-S	1.0	0.010	5.75	5.20	70	100K/1V
<input type="checkbox"/> NR6028C-1R5N-R-S	1.5	0.013	6.00	4.58	65	100K/1V
<input type="checkbox"/> NR6028C-2R2N-R-S	2.2	0.020	5.10	3.75	48	100K/1V
<input type="checkbox"/> NR6028C-3R3N-R-S	3.3	0.025	4.15	3.48	41	100K/1V
<input type="checkbox"/> NR6028C-4R7N-R-S	4.7	0.030	3.00	3.08	35	100K/1V
<input type="checkbox"/> NR6028C-5R1N-R-S	5.1	0.043	3.20	2.60	32	100K/1V
<input type="checkbox"/> NR6028C-6R8M-R-S	6.8	0.047	2.60	2.40	27	100K/1V
<input type="checkbox"/> NR6028C-8R2M-R-S	8.2	0.055	2.30	2.25	24	100K/1V
<input type="checkbox"/> NR6028C-100M-R-S	10.0	0.072	2.04	1.95	23	100K/1V
<input type="checkbox"/> NR6028C-150M-R-S	15.0	0.125	1.75	1.45	18	100K/1V
<input type="checkbox"/> NR6028C-220M-R-S	22.0	0.140	1.45	1.40	14	100K/1V
<input type="checkbox"/> NR6028C-330M-R-S	33.0	0.185	1.35	1.22	12	100K/1V
<input type="checkbox"/> NR6028C-470M-R-S	47.0	0.315	1.15	1.06	9.5	100K/1V
<input type="checkbox"/> NR6028C-680M-R-S	68.0	0.360	0.80	0.86	7.7	100K/1V
<input type="checkbox"/> NR6028C-101M-R-S	100	0.500	0.65	0.70	7.1	100K/1V