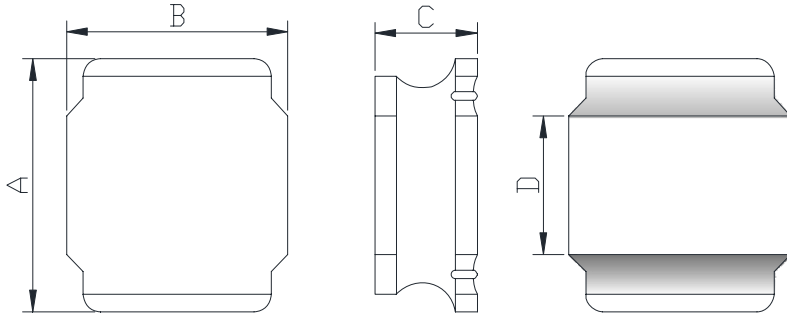


SPECIFICATION FOR APPROVAL

NR6020C Series

Rev.No.	A
Page	1

I .CONFIGURATION&DIMENSIONS:



A:6.0±0.2 mm

B:6.0±0.2 mm

C:2.0max mm

D:2.6±0.3 mm

PART NO.	Ls	DCR (Ω)	Isat	Irms	SRF (MHz)	TEST FREQ.
	(uH)0A	±30%	(A)	(A)	min	(Hz)
<input type="checkbox"/> NR6020C-R68N-R-S	0.68	0.017	6.55	3.80	115	100K/1V
<input type="checkbox"/> NR6020C-R82N-R-S	0.82	0.017	5.30	3.80	110	100K/1V
<input type="checkbox"/> NR6020C-1R0N-R-S	1.0	0.020	4.15	3.50	100	100K/1V
<input type="checkbox"/> NR6020C-1R2N-R-S	1.2	0.022	5.90	3.20	88	100K/1V
<input type="checkbox"/> NR6020C-1R5N-R-S	1.5	0.022	4.25	3.20	79	100K/1V
<input type="checkbox"/> NR6020C-2R2N-R-S	2.2	0.028	3.75	2.75	61	100K/1V
<input type="checkbox"/> NR6020C-3R3N-R-S	3.3	0.035	3.15	2.60	51	100K/1V
<input type="checkbox"/> NR6020C-4R7N-R-S	4.7	0.058	3.00	2.00	41	100K/1V
<input type="checkbox"/> NR6020C-5R6N-R-S	5.6	0.058	2.40	1.90	36	100K/1V
<input type="checkbox"/> NR6020C-6R8N-R-S	6.8	0.079	2.20	1.80	31	100K/1V
<input type="checkbox"/> NR6020C-100M-R-S	10.0	0.105	1.75	1.40	27	100K/1V
<input type="checkbox"/> NR6020C-150M-R-S	15.0	0.145	1.20	1.20	21	100K/1V
<input type="checkbox"/> NR6020C-220M-R-S	22.0	0.204	1.05	1.00	16	100K/1V