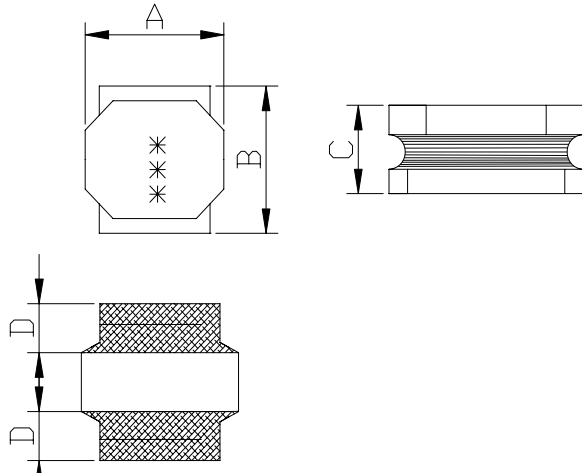


# SPECIFICATION FOR APPROVAL

## NR5040C Series

Rev.No.	A
Page	1

### I .CONFIGURATION&DIMENSIONS:



A:5.0±0.2 mm

B:5.0±0.2 mm

C:4.0max mm

D:2.0±0.2 mm

PART NO.	Ls	DCR (Ω)	Isat	Irms	SRF (MHz)	TEST FREQ.
	(uH)0A	±30%	(A)	(A)	min	(Hz)
<input type="checkbox"/> NR5040C-1R0N-R-S	1.00	0.012	7.35	4.90	117	100K/1V
<input type="checkbox"/> NR5040C-1R2N-R-S	1.2	0.016	6.50	4.15	110	100K/1V
<input type="checkbox"/> NR5040C-1R5N-R-S	1.5	0.015	6.30	4.30	86	100K/1V
<input type="checkbox"/> NR5040C-2R2N-R-S	2.2	0.019	4.90	3.80	50	100K/1V
<input type="checkbox"/> NR5040C-3R3N-R-S	3.3	0.024	3.95	3.40	32	100K/1V
<input type="checkbox"/> NR5040C-4R7M-R-S	4.7	0.030	3.50	3.00	28	100K/1V
<input type="checkbox"/> NR5040C-6R8M-R-S	6.8	0.043	2.90	2.50	21	100K/1V
<input type="checkbox"/> NR5040C-100M-R-S	10.0	0.064	2.35	2.10	18	100K/1V
<input type="checkbox"/> NR5040C-150M-R-S	15.0	0.086	2.00	2.00	13	100K/1V
<input type="checkbox"/> NR5040C-220M-R-S	22.0	0.129	1.60	1.50	11	100K/1V
<input type="checkbox"/> NR5040C-330M-R-S	33.0	0.188	1.30	1.20	9.1	100K/1V
<input type="checkbox"/> NR5040C-470M-R-S	47.0	0.272	1.10	1.00	6.7	100K/1V
<input type="checkbox"/> NR5040C-680M-R-S	68.0	0.400	0.90	0.80	5.7	100K/1V
<input type="checkbox"/> NR5040C-101M-R-S	100	0.560	0.75	0.70	4.7	100K/1V