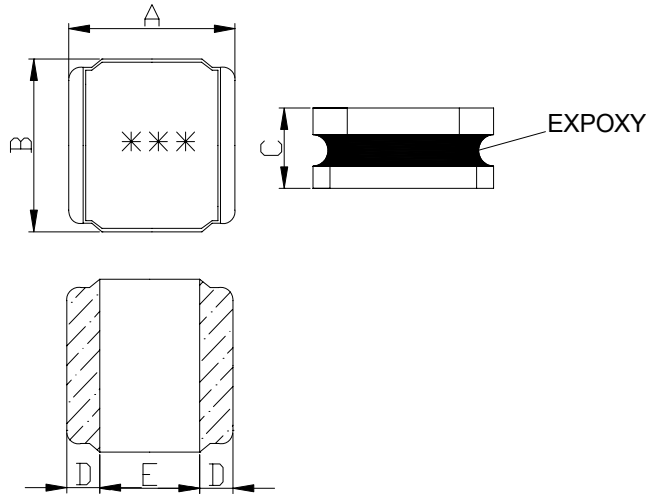


SPECIFICATION FOR APPROVAL

NR4018C Series

Rev.No.	A
Page	1

I . CONFIGURATION&DIMENSIONS:



A:4.0±0.2 mm

B:4.0±0.2 mm

C:1.8max mm

D:1.0ref mm

E:2.0ref mm

PART NO.	Ls	DCR (Ω)	Isat	Irms	SRF (MHz)	TEST FREQ.
	(uH)0A	±30%	(A)	(A)	min	(Hz)
<input type="checkbox"/> NR4018C-1R0N-R-S	1.0	0.025	4.80	2.00	80	100K/1V
<input type="checkbox"/> NR4018C-1R5N-R-S	1.5	0.030	3.20	1.80	65	100K/1V
<input type="checkbox"/> NR4018C-2R2N-R-S	2.2	0.045	2.60	1.65	52	100K/1V
<input type="checkbox"/> NR4018C-3R3M-R-S	3.3	0.070	2.30	1.23	44	100K/1V
<input type="checkbox"/> NR4018C-4R7M-R-S	4.7	0.090	1.60	1.20	34	100K/1V
<input type="checkbox"/> NR4018C-6R8M-R-S	6.8	0.110	1.45	1.06	29	100K/1V
<input type="checkbox"/> NR4018C-100M-R-S	10.0	0.180	1.10	0.84	24	100K/1V
<input type="checkbox"/> NR4018C-150M-R-S	15.0	0.250	0.94	0.65	19	100K/1V
<input checked="" type="checkbox"/> NR4018C-220M-R-S	22.0	0.360	0.80	0.59	16	100K/1V
<input type="checkbox"/> NR4018C-330M-R-S	33.0	0.530	0.56	0.49	12	100K/1V
<input type="checkbox"/> NR4018C-470M-R-S	47.0	0.650	0.57	0.42	10	100K/1V
<input type="checkbox"/> NR4018C-680M-R-S	68.0	1.000	0.47	0.32	8.3	100K/1V
<input type="checkbox"/> NR4018C-101M-R-S	100	1.750	0.40	0.25	6.5	100K/1V