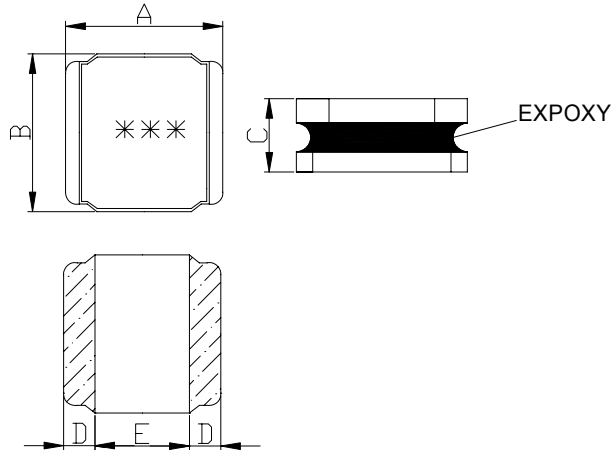


SPECIFICATION FOR APPROVAL

NR4020C Series

Rev.No.	A
Page	1

I .CONFIGURATION&DIMENSIONS:



A:4.0±0.2 mm

B:4.0±0.2 mm

C:2.0max mm

D:1.0ref mm

E:2.0ref mm

PART NO.	Ls	DCR (Ω)	Isat	Irms	SRF (MHz)	TEST FREQ.
	(uH)0A	±30%	(A)	(A)	min	(Hz)
<input type="checkbox"/> NR4020C-1R0N-R-S	1.0	0.029	4.78	2.15	75	100K/1V
<input type="checkbox"/> NR4020C-1R5N-R-S	1.5	0.035	4.45	1.98	71	100K/1V
<input type="checkbox"/> NR4020C-2R2N-R-S	2.2	0.040	3.40	1.85	49	100K/1V
<input type="checkbox"/> NR4020C-3R3M-R-S	3.3	0.070	3.20	1.40	44	100K/1V
<input type="checkbox"/> NR4020C-4R7M-R-S	4.7	0.075	2.35	1.34	42	100K/1V
<input type="checkbox"/> NR4020C-6R8M-R-S	6.8	0.125	2.20	1.04	33	100K/1V
<input type="checkbox"/> NR4020C-100M-R-S	10.0	0.165	1.60	0.90	26	100K/1V
<input type="checkbox"/> NR4020C-150M-R-S	15.0	0.230	1.35	0.77	24	100K/1V
<input type="checkbox"/> NR4020C-220M-R-S	22.0	0.350	1.05	0.62	15	100K/1V
<input type="checkbox"/> NR4020C-270M-R-S	27.0	0.545	1.02	0.50	14	100K/1V
<input type="checkbox"/> NR4020C-330M-R-S	33.0	0.550	0.85	0.49	11	100K/1V
<input type="checkbox"/> NR4020C-390M-R-S	39.0	0.650	0.82	0.46	11	100K/1V
<input type="checkbox"/> NR4020C-470M-R-S	47.0	0.710	0.74	0.44	10	100K/1V
<input type="checkbox"/> NR4020C-560M-R-S	56.0	0.800	0.66	0.41	10	100K/1V
<input type="checkbox"/> NR4020C-680M-R-S	68.0	1.060	0.61	0.36	7.7	100K/1V
<input type="checkbox"/> NR4020C-101M-R-S	100	1.550	0.48	0.31	6.3	100K/1V